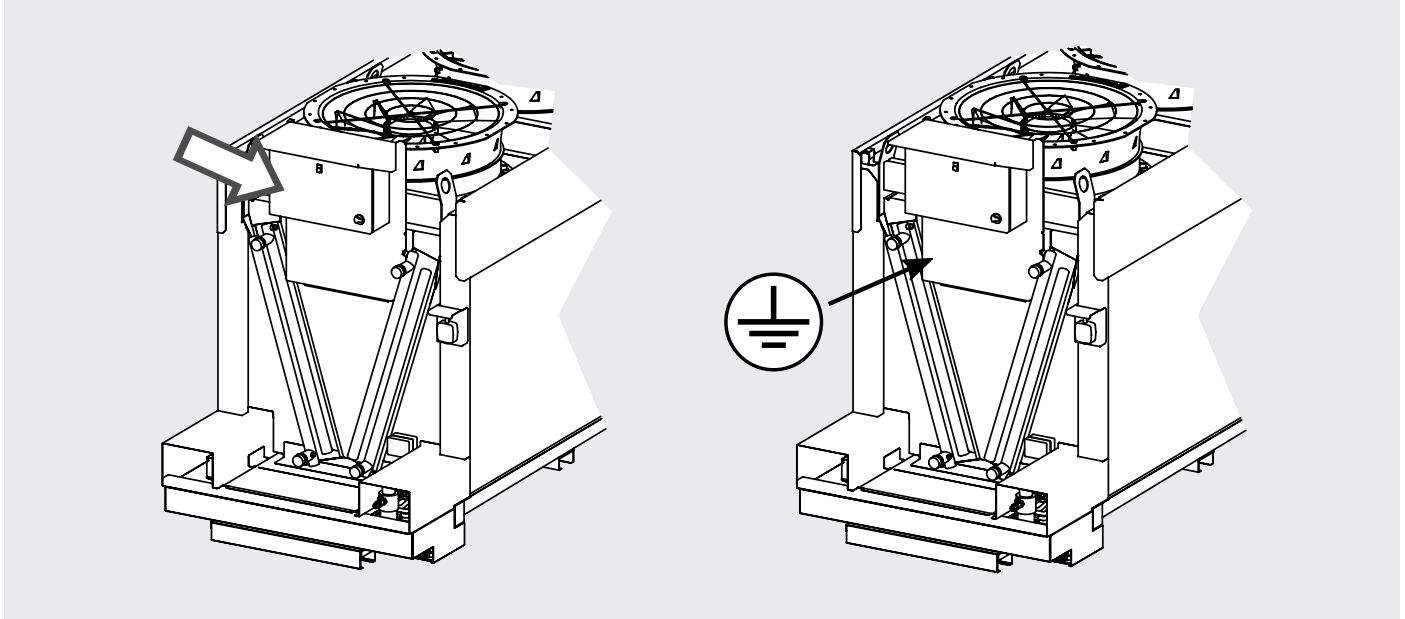


Wiring diagrams

Refer to the diagrams supplied with the model.

To minimise the risk of indirect contact, the electrical system can be earthed using the pin on the front.

It is mandatory to use power cables with a minimum cross-section as indicated in Tab. 1. Please refer to the technical standards in force in the country of installation, based also on the way the cables are laid and their length and type.



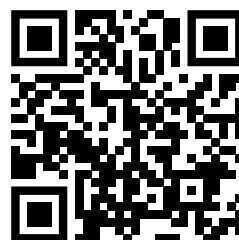
| Nominal current [A] | Power cable cross-section [mm ²] |
|---------------------|--|
| 11 | 1.5 |
| 15 | 2.5 |
| 20 | 4 |
| 26 | 6 |
| 36 | 10 |
| 48 | 16 |
| 64 | 25 |
| 80 | 35 |
| 95 | 50 |
| 150 | 95 |
| 170 | 120 |

Table 1



Modine CIS Italy S.r.l.
 33050 Pocenia - Udine - Italy
 Via Giulio Locatelli, 22
 Tel. +39 0432.772.001
 Fax +39 0432.779.594
 www.modine.com

Link to user manuals:



<https://www.modinecoolers.com/documents/>